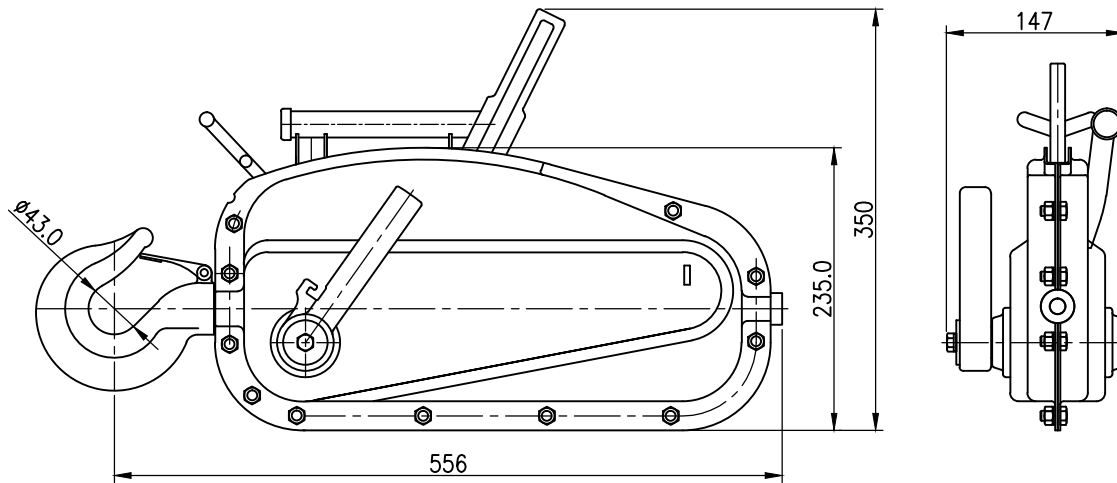
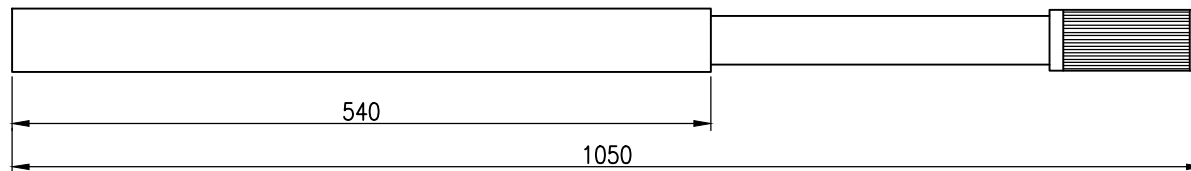


NO	DESCRIPTION	MAT'L	Q'TY	WT(kg)	REMARKS



SPECIFICATION	
HOISTING LOAD	1.6 TON
PULLING CAPACITY	2.5 TON
TRANSMISSION SPEED	3 M/MIN
HOISTING	MANUAL
WEIGHT	22 kg
WIRE ROPE	IWRC 11.6 MM



TITLE DW-15 WIRE WINCH				PROJECTION	
WORK NO		WORK NAME			
SCALE				Q'TY	
1/2				1	
DRAWN	CHECKED	REVIEWED	APPROVED	DRAWING NO	
YOO.M.R		LEE. H.J		DSDW15001	
2012.08.29		2012.09.20			

REV.NO	DATE	REVISION DESCRIPTION	DRAWN	CHECKED	APPROVED

DAESAN INoTEC IND. CO., LTD.