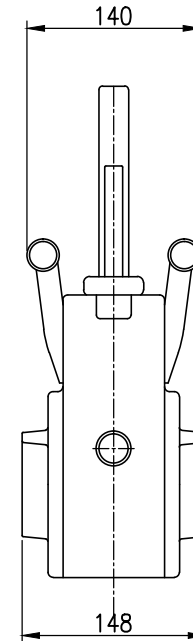
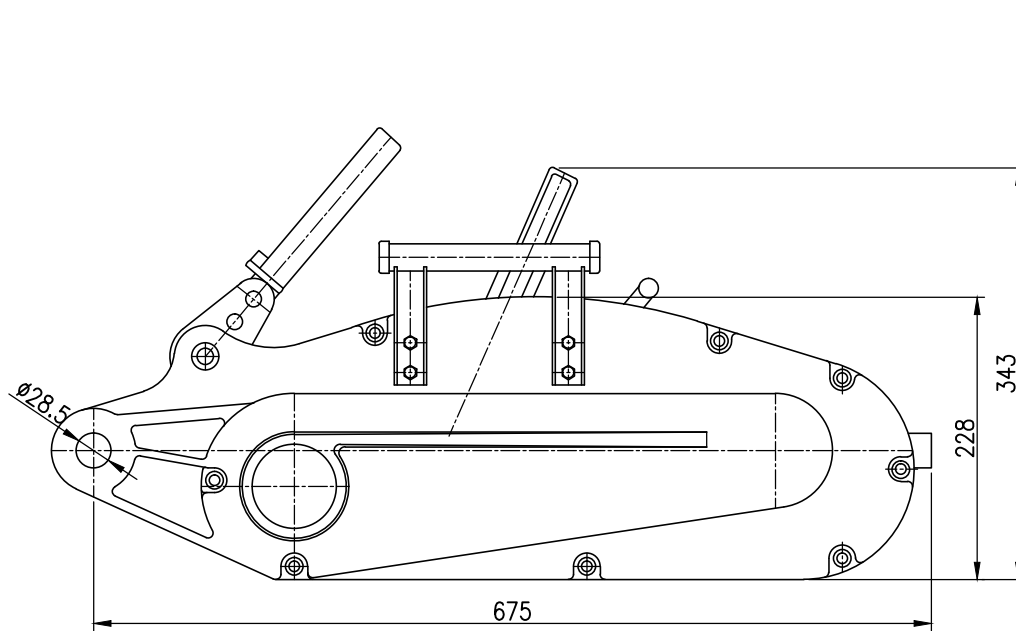
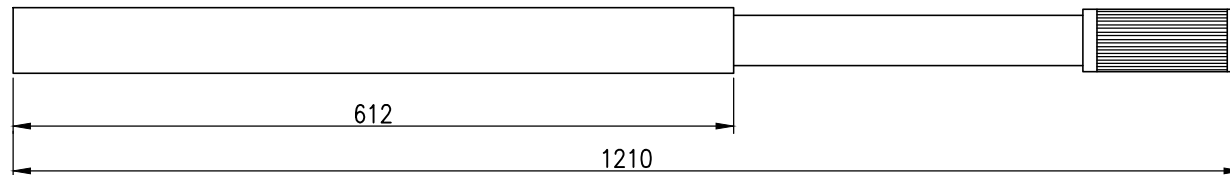


NO	DESCRIPTION	MAT'L	Q'TY	WT(kg)	REMARKS



SPECIFICATION	
HOISTING LOAD	3.2 TON
PULLING CAPACITY	5 TON
TRANSMISSION SPEED	3 M/MIN
HOISTING	MANUAL
WEIGHT	33 kg
WIRE ROPE	IWRC 16MM



TITLE DW-35 WIRE WINCH		PROJECTION	
WORK NO	WORK NAME		
		SCALE	Q'TY
		1/2	1
DRAWN	CHECKED	REVIEWED	APPROVED
YOO.M.R		LEE. H.J	
2012.08.29		2012.08.29	
DRAWING NO			DSDW03001
DAESAN INoTEC		IND. CO., LTD.	

REV.NO	DATE	REVISION DESCRIPTION	DRAWN	CHECKED	APPROVED